

Distribuidor Oficial Tecnocat



TECNOCAT WORK SERIES

VC-F2

Telf. +34 978 61 94 69
comercial@ada-distribuciones.com
<https://ada-distribuciones.com>

www.tecnocat.com

VC-F2

WORK SERIES

VC-F2



	300 kg
	150 kg
	20 kg



VERTICAL
WORK






VERTICAL
WORK



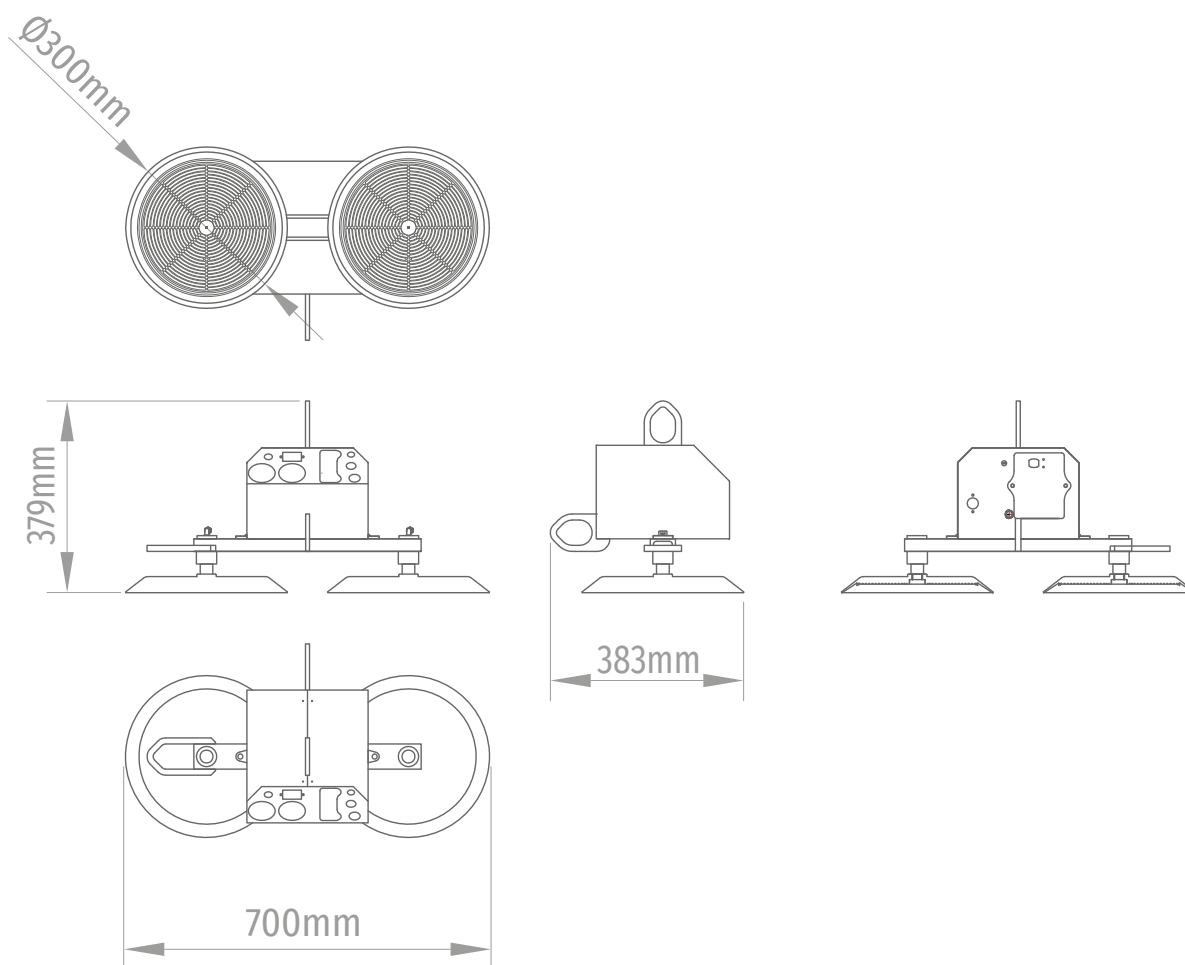
HORIZONTAL
WORK



ENH3155	OK
kW	80 W

	22 L/min
	0° - 90° (two positions hanged)
	OK - BATTERY 12V - Running period 20h aprox
	—

VC-F2



OPTIONALS

- CM-VC METAL BOX
- FU-P COVERS

PICTOGRAMS



ELECTRICAL POWER



MANUAL ROTATION EQUIPMENT



NOMINAL ELECTRIC POWER



PNEUMATIC ROTATION EQUIPMENT



ENERGY AUTONOMY BY BATTERIES



MOTORIZED ROTATION EQUIPMENT



PNEUMATIC SUPPLY



HYDRAULIC ROTATION EQUIPMENT



MAXIMUM LOAD CAPACITY



EQUIPMENT WEIGHT



MAXIMUM LOAD CAPACITY ACCORDING EN-13155



VACUUM SYSTEM AIR FLOW



TILTING EQUIPMENT



PUSHBUTTON CABLE LENGTH



MANUALLY TILTING EQUIPMENT



WIRELESS PUSHBUTTON



PNEUMATIC TILTING EQUIPMENT



LOAD CAPACITY ACCORDING EN-13155



MOTORIZED TILTING EQUIPMENT



EQUIPMENT SUPPORT SYSTEM



HYDRAULIC TILTING EQUIPMENT



LIFTING CRANE USABLE ROTATION



ROTATION EQUIPMENT